

5.2mm Square Tact Switch (Vertical, SMT Type)

TSE-01/02S-XXX




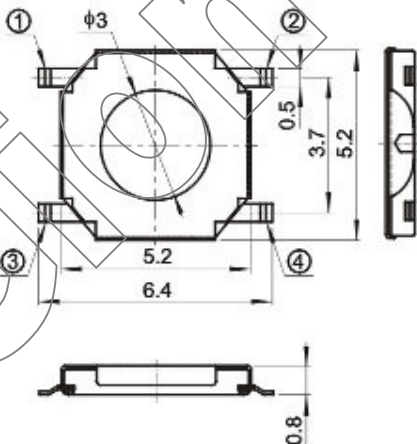
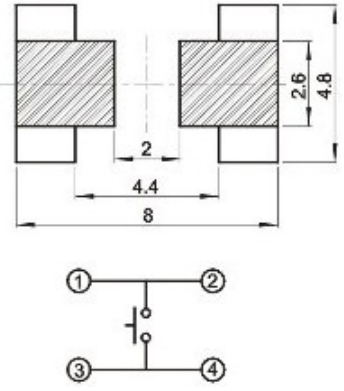
TS - Tact Switch
E - E Serious
01 / 02 - Type
S - SMT Type
XXX - Action Force (gram)

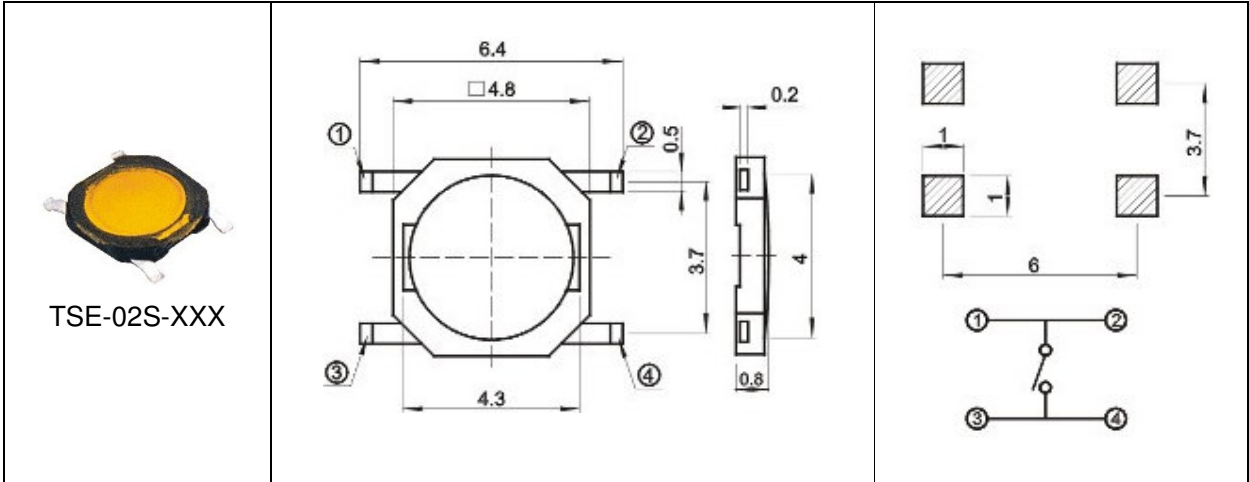
SPECIFICATIONS

Mechanical Life: 200,000 cycles for 130g±50g, 180g±50g
100,000 cycles for 250g±50g
Operating Force: 130g±50g, 180g±50g, 250g±50g
Travel: 0.25±0.1mm
Rating: 50mA 12V DC
Dielectric withstanding: 250V AC/minute
Insulator resistance: ≥ 100 MΩ at 100V
Contact resistance: ≤ 100 mΩ/Contact
Operating temperature: -30°C ~ +85°C
Storage temperature: -40°C ~ +85°C

Material

Base: LCP, UL94V-0
Contact material: Phosphor Bronze
Contact Spring Plating: Stainless Steel/Silver Plating

Physical Picture	Outline Drawing	Circuit
 <p>TSE-01S-XXX</p>		



GionTech